



# HYDRAULIC PARTS

*for pumps and motors*

**PRODUCT BROCHURE**

HIGH QUALITY, WIDE RANGE, FAST SERVICE!

NINGBO YINENG HYDRAULICS CO LTD

# COMPANY PROFILE



**Ningbo Yineng Hydraulics Co Ltd**, located in Ningbo that a port city near Shanghai, its excellent geographical position is convenient for sea and air quick delivery. are specialized in offering one-stop service for high-quality hydraulic parts as best replacements for originals for your pumps and motors.

## PHILOSOPHY

Our company adhere to "quality first, service up-most", you will get guaranteed high quality products at competitive prices, quick and considerate pre-sales and after-sales service! Our factory, equipped with advanced facilities, combined with rigorous quality control, are dedicated and experienced through over 10-year of development, production, innovation.

## ADVANTAGES

Our professional sales team has professional experience in hydraulics to supply you reliable parts, 100% interchangeable with originals. Our wide-range products and adequate stocks can meet your various and urgent demands. Products are widely used in engineering, construction, metallurgy, mining, marine, agricultural machinery and etc.

# CONTENTS

## REXROTH

<b>A10VSO (A10VO), A10VG</b> .....	10
<b>A11VO(A11VLO, A11V), A11VG</b> .....	11
<b>A4VSO, A4V</b> .....	12
<b>A4VG, A4VTG</b> .....	13
<b>A6VM,A6VE</b> .....	14
<b>A6V, A7V</b> .....	15
<b>A7VO</b> .....	16
<b>A8VO</b> .....	17
<b>A2FO,A2FM,A2FE</b> .....	18
<b>A2F, A2VK</b> .....	19

## UCHIDA

<b>A8V</b> .....	20
<b>A10VD</b> .....	21
<b>AP2D</b> .....	22

## CATERPILLAR

CAT 312C,320C,325C/SBS80,120,140 ..... 23

CAT 320, AP12 ..... 24

CAT 12G,14G,16G CAT 215,225,235,245 ..... 25

E200B, SPK10/10, MS180 SPV10/10 ..... 26

CATERPILLAR LINE ..... 28

## LIEBHERR

LPVD,DPVP ..... 42

## KAWASAKI

K3V, K5V ..... 43

M2X ..... 44

M5X ..... 45

# CONTENTS

## KOMATSU

HPV95(PC2000/220-6,PC200/220-7)	
HPV132(PC300-6),	-----46
HPV140(PC360-7,PC300-7 NEW,PC300-8)	
HPV160(PC300/400-5)	
HPV35,55,90	
PC55/56,PC60,PC120,	-----47
PC200-3,PC200-5,PC120-6	

## HITACHI

HPV091(EX200-2/3,DOUBLE PUMP	-----48
EX120-2, SINGLE PUMP)	
HPV102(EX200-5/6), HPV118(ZX200-3)	-----49
HPV116(EX200-1), HPV145(EX300-1/2/3)	-----50

## SAUER

<b>PV20,21,22,23,24,25,26,27</b> <b>SPV6-119</b>	51
<b>MPV025,35,44,46,MPT025,35,44,46</b> <b>PV42-28,41,51</b>	52
<b>PV90R(L)42,55,75,100,130,180,250</b> <b>PV90M55,75,100,130</b>	53
<b>ERR(ERL), FRR(FRL), JRR(JRL) , KRR/LRR(KRL)</b>	54
<b>51V/C/D-060,080,110,160,250</b>	55

## EATON, VICKERS

<b>33,39,46,54, 64,76</b>	56
<b>70122 72400 72450 78461 78462 78162</b>	57
<b>PVE19,21,TA1919</b>	58
<b>PVH57,74,98,106,131,141</b> <b>PVE27,35,47,62</b>	59
<b>PVB5,6,10,15,20,29</b>	60

# CONTENTS

## PAKER

<b>F11, F12</b> .....	61
<b>V12, V14</b> .....	62
<b>P2, P3</b> .....	63

## LINDE

<b>HPR75,100,105</b> .....	64
<b>HPR130,160</b> .....	65
<b>BPV, B2PV, BPR</b> .....	66

## KYB

<b>PSVD2-13E,16E,17E,19E,21E,26E,27E,57E</b> .....	67
<b>PSV2-55T,60T,62T,63T,66T</b> .....	68
<b>MAG,MSF</b> .....	69



## NACHI

**PVD-00B/1B/15B/2B/3B ----- 70**

## OTHER BRANDS

**JIC,TOSHIBA,YUKEN,DAKIN,HAWE, OILGEAR ----- 71**

## CHARGE PUMP & CONTROL VALVE

**A4VG,A4VTG, A10VG CHARGE PUMP-----72**

**REXROTH CONTROL VALVE ----- 74**

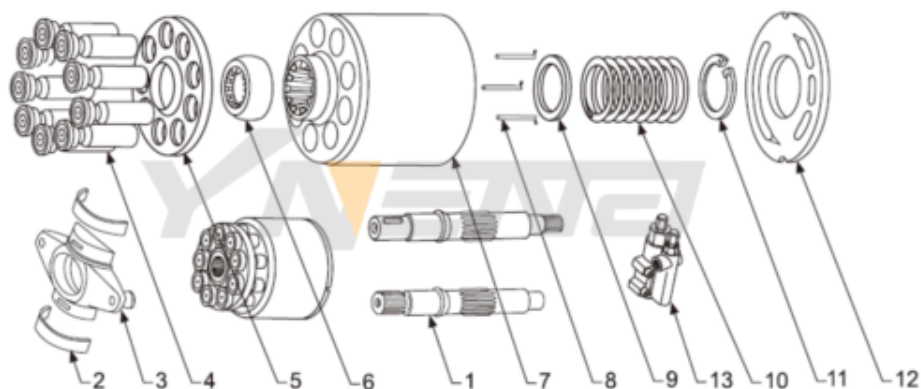
**OTHER CONTROL VALVE & CHARGE PUMP----- 75**

# A10VSO (A10VO)

REXROTH

A10VSO10/16/18/28/45/63/71/85/100/140

A10VG18/28/45/63



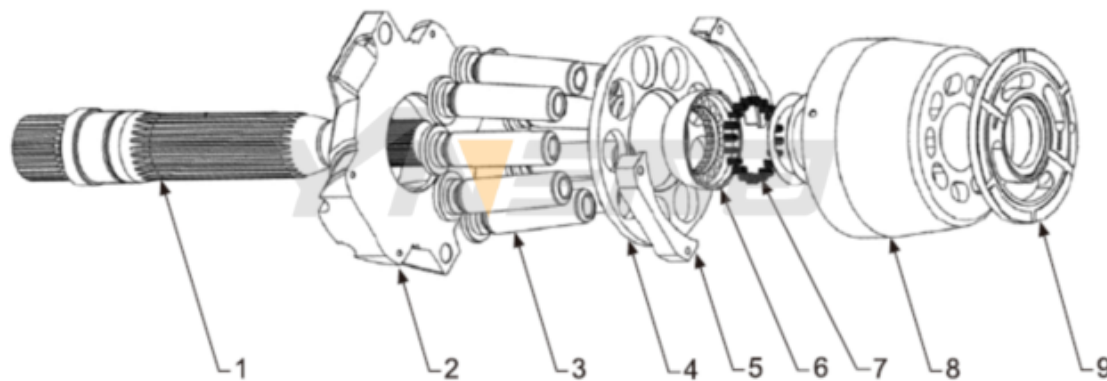
ITEM	DESCRIPTION	QTY (PCS)
1	DRIVE SHAFT	1
2	SADDLE BEARING	2
3	SWASH PLATE L/R	1
4	PISTON SHOE	9
5	RETAINER PLATE	1
6	BALL GUIDE	1
7	CYLINDER BLOCK	1
8	PRESS PIN	3
9	BARREL WASHER	1
10	COIL SPRING	1
11	SNAP RING	1
12	VALVE PLATE L/R	1
13	CONTROL VALVE	1
	SHAFT BEARING	2
	SEAL KIT	1

# A11VO(A11VLO, A11V)

REXROTH

A11VO40,60,75,95,130,145,160,190,200,250,260

A11VG12,19,35,50



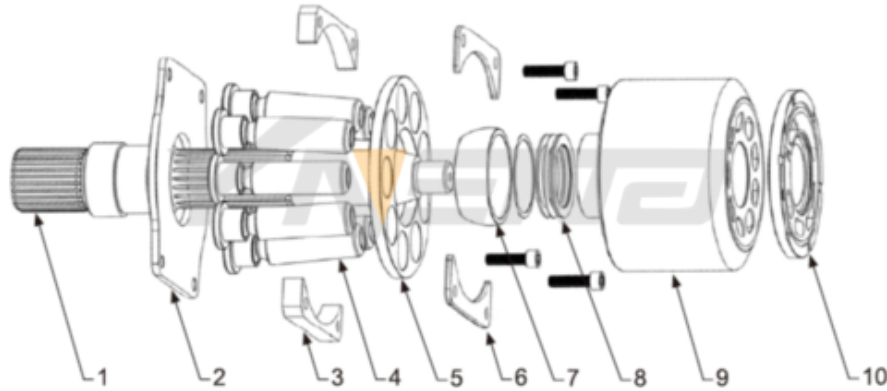
ITEM	DESCRIPTION	QTY (PCS)
1	DRIVE SHAFT	1
2	SWASH PLATE L/R	1
3	PISTON SHOE	9
4	RETAINER PLATE	1
5	RETAINER	2
6	BALL GUIDE	1
7	RETAINER WASHER	1
8	CYLINDER BLOCK	1
9	VALVE PLATE L/R	1
	DISC SPRING	4
	SADDLE BEARING + SEAT	2
	CONTROL VALVE	1
	SHAFT BEARING	2
	SEAL KIT	1

# A4VSO, A4V

REXROTH

A4VSO40,45,71,125,180,250,355,500

A4V40,56,71,90,125,250



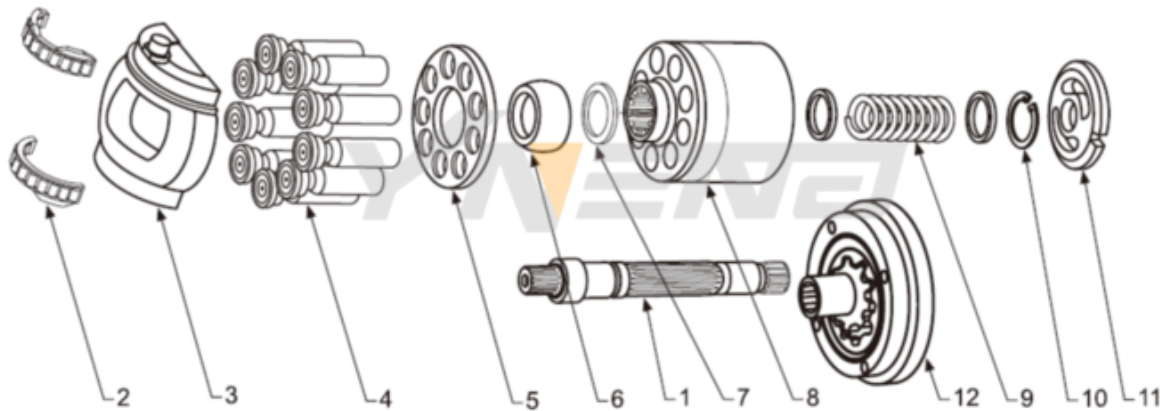
ITEM	DESCRIPTION	QTY (PCS)
1	DRIVE SHAFT	1
2	THRUST PLATE	1
3	RETAINER	2
4	PISTON SHOE	9
5	RETAINER PLATE	1
6	SPACER	2
7	BALL GUIDE	1
8	DISC SPRING	4
9	CYLINDER BLOCK	1
10	VALVE PLATE L/R	1
	SWASH PLATE	1
	METAL	2
	CONTROL VALVE	1
	SHAFT BEARING	2
	SEAL KIT	1

# A4VG,A4VTG

A4VG28,40,45,56,71,90,125,140,175,180,250

A4VTG71,90

REXROTH

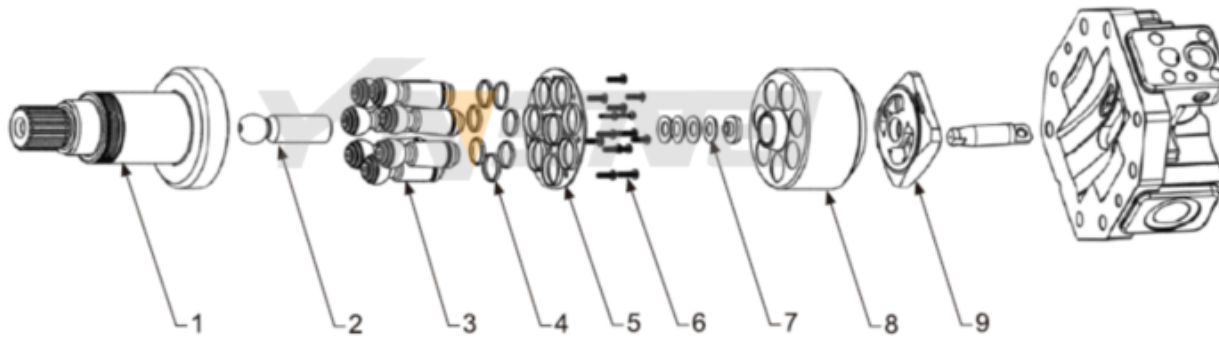


ITEM	DESCRIPTION	QTY (PCS)
1	DRIVE SHAFT	1
2	SADDLE BEARING + SEAT	2
3	SWASH PLATE L/R	1
4	PISTON SHOE	9
5	RETAINER PLATE	1
6	BALL GUIDE	1
7	RETAINER WASHER	1
8+9+10	CYLINDER BLOCK ASSY.	1
11	VALVE PLATE L/R	1
	CONTROL VALVE	1
	SHAFT BEARING	1
	SEAL KIT	1

# A6VM,A6VE

A6VM28,55,80,107,140,160,172,200,250,500

A6VE28,55,80,107,160,172,200,250,500



REXROTH

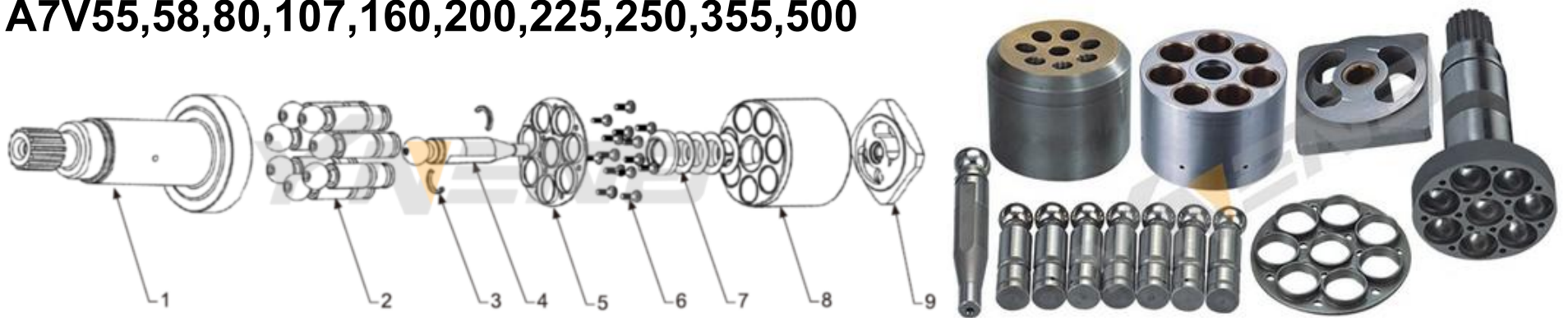
ITEM	DESCRIPTION	QTY (PCS)
1	DRIVE SHAFT	1
2	CENTER PIN	1
3	PISTON	7
4	RING	14
5	SET PLATE	1
6	SCREW	14
7	DISC SPRING	4
	DISC SPRING HOLDER	2
8	CYLINDER BLOCK	1
9	VALVE PLATE M	1
	CONTROL VALVE	1
	SHAFT BEARING	2
	SEAL KIT	1

# A6V/A7V

REXROTH

**A6V28**

**A7V55,58,80,107,160,200,225,250,355,500**

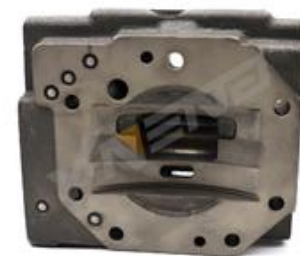
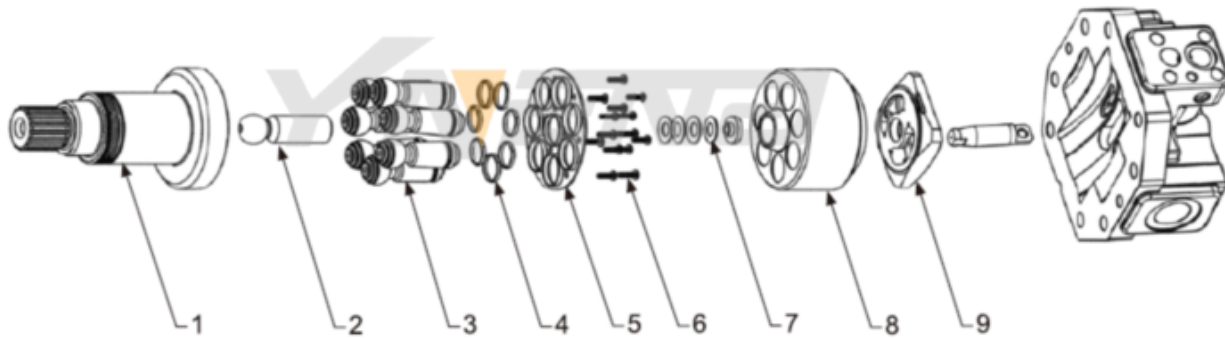


ITEM	DESCRIPTION	QTY (PCS)
1	DRIVE SHAFT	1
2	PISTON	7
3	HALF RING	2
4	CENTER PIN	1
5	SET PLATE	1
6	SCREW	14
7	DISC SPRING	4
	DISC SPRING HOLDER	2
8	CYLINDER BLOCK	1
9	VALVE PLATE M	1
	SHAFT BEARING	2

# A7VO

# REXROTH

## A7VO28,55,80,107,160,172,200,250,355,500



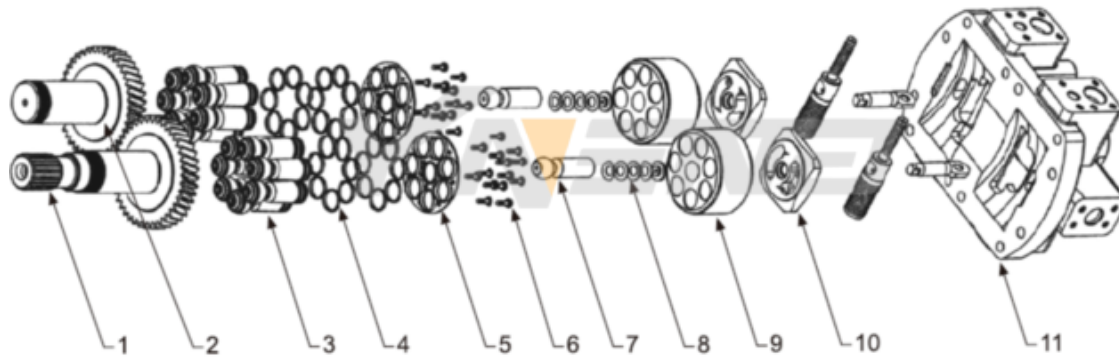
ITEM	DESCRIPTION	QTY (PCS)
1	DRIVE SHAFT	1
2	CENTER PIN	1
3	PISTON	7
4	RING	14
5	SET PLATE	1
6	SCREW	14
7	DISC SPRING	4
	DISC SPRING HOLDER	2
8	CYLINDER BLOCK	1
9	VALVE PLATE L/R	1
	HEAD COVER	1
	CONTROL VALVE	1
	SHAFT BEARING	2
	SEAL KIT	1



# A8VO

A8VO55,80,80/6.3,107,140,160,172,200

REXROTH

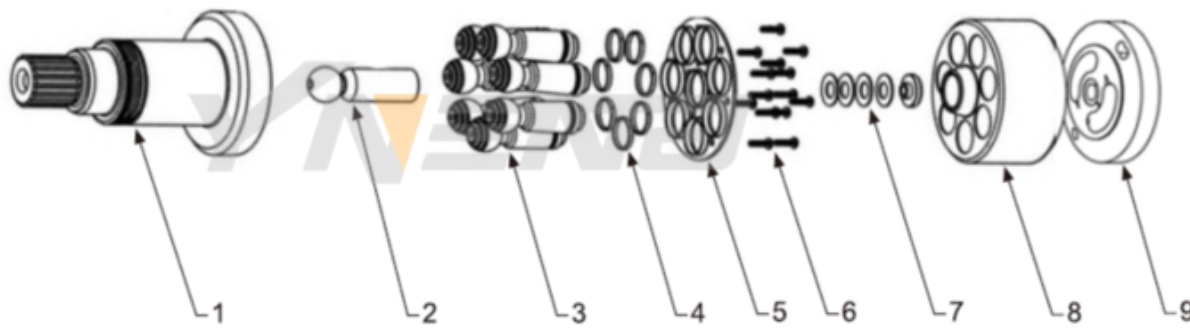


ITEM	DESCRIPTION	QTY (PCS)
1	DRIVE SHAFT	1
2	DRIVEN SHAFT	1
3	PISTON	14
4	RING	28
5	SET PLATE	2
6	SCREW	28
7	CENTER PIN	2
8	DISC SPRING	8
	DISC SPRING HOLDER	4
9	CYLINDER BLOCK	2
10	VALVE PLATE L/R	2
	HEAD COVER	1
	SHAFT BEARING ((2 BIG + 1 SMALL))	2
	SEAL KIT	1

# A2FO,A2FM,A2FE

REXROTH

A2FO(A2FM/A2FE)10,12,16,23,28,32,45,56,63,80,90,107,125,160,180,200,250



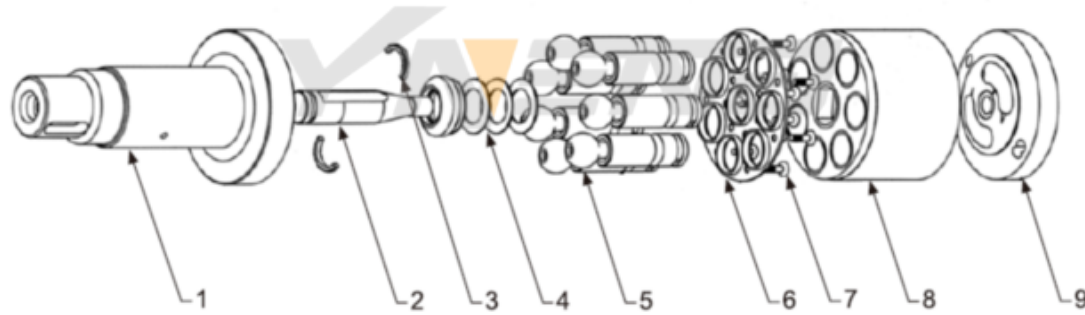
ITEM	DESCRIPTION	QTY (PCS)
1	DRIVE SHAFT	1
2	CENTER PIN	1
3	PISTON	7
4	RING	14
5	SET PLATE	1
6	SCREW	14
7	DISC SPRING	4
	DISC SPRING HOLDER	2
8	CYLINDER BLOCK	1
9	VALVE PLATE R/L/M	1
	SHAFT BEARING	2
	SEAL KIT	1

# A2F,A2VK

A2F12,23,28,55,80,107,160,225,250,500

A2VK12,28,55,107

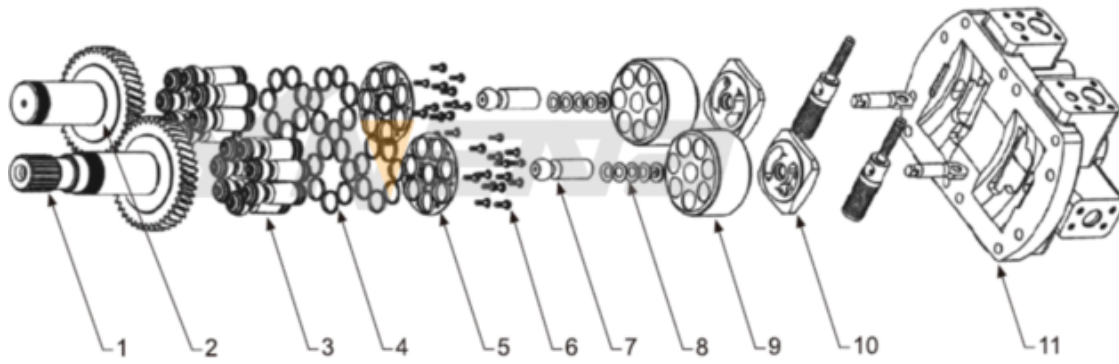
REXROTH



ITEM	DESCRIPTION	QTY (PCS)
1	DRIVE SHAFT	1
2	CENTER PIN	1
3	HALF RING	2
4	DISC SPRING	4
	DISC SPRING HOLDER	1
5	PISTON	7
6	SET PLATE	1
7	SCREW	7
8	CYLINDER BLOCK	1
9	VALVE PLATE L/R	1
	SHAFT BEARING	2
	SEAL KIT	1

# A8V

A8V55,59,80,86,107,115,160,172,200



# UCHIDA

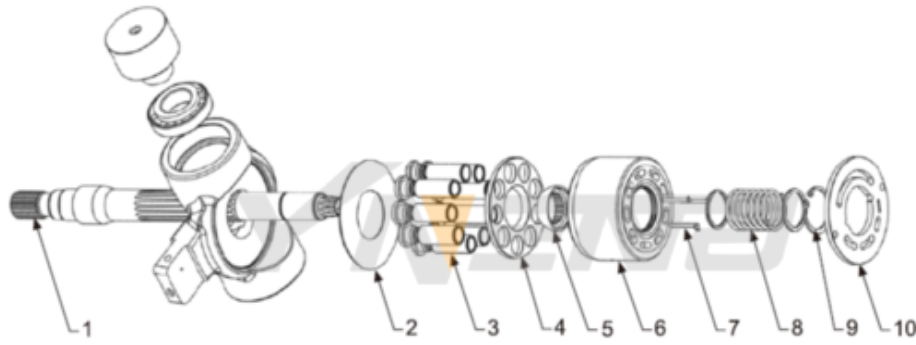


ITEM	DESCRIPTION	QTY (PCS)
1	DRIVE SHAFT	1
2	DRIVEN SHAFT	1
3	PISTON	14
4	RING	28
5	SET PLATE	2
6	SCREW	28
7	CENTER PIN	2
8	DISC SPRING	8
	DISC SPRING HOLDER	4
9	CYLINDER BLOCK	2
10	VALVE PLATE L/R	2
	SHAFT BEARING ((2 BIG + 1 SMALL))	2
	SEAL KIT	1

# A10VD

A10VD17,23,28,40,43,71

UCHIDA

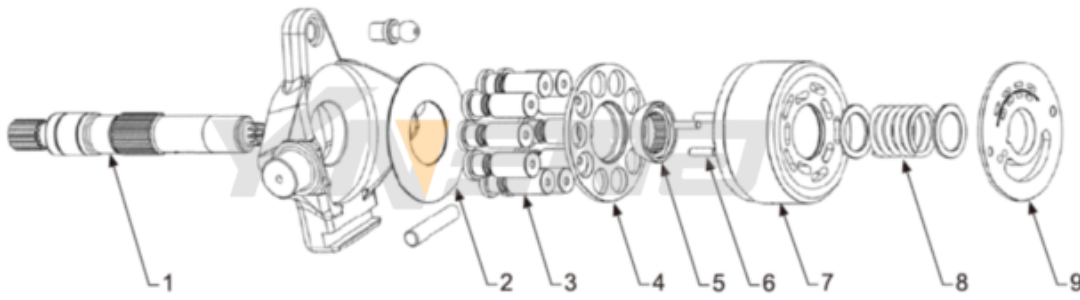


ITEM	DESCRIPTION	QTY (PCS)
1	DRIVE SHAFT	1
2	THRUST PLATE	1
3	PISTON SHOE	9
4	RETAINER PLATE	1
5	BALL GUIDE	1
6	CYLINDER BLOCK	1
7	PRESS PIN	3
8	COIL SPRING	1
9	SNAP RING	1
10	VALVE PLATE L/R	1
	SHAFT BEARING	2
	SEAL KIT	1

# AP2D

AP2D12,14,18,21,25,28,36,38,42

UCHIDA

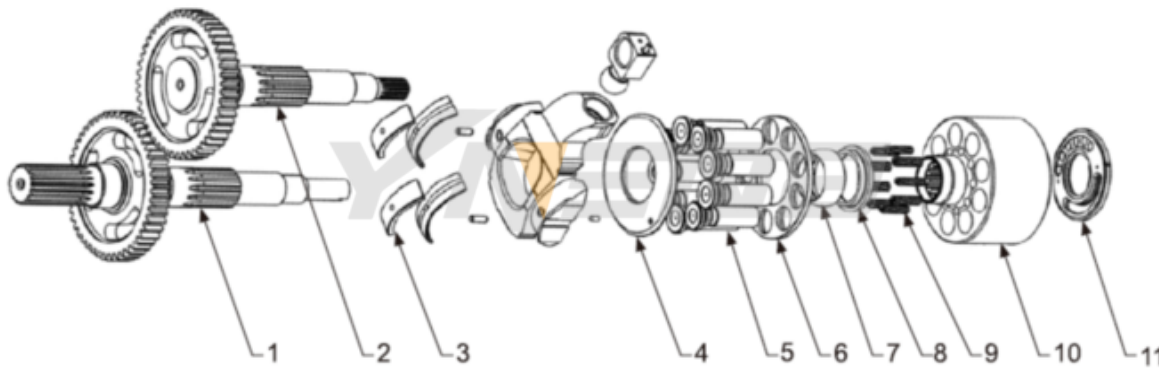


ITEM	DESCRIPTION	QTY (PCS)
1	DRIVE SHAFT	1
2	THRUST PLATE	1
3	PISTON SHOE	9
4	RETAINER PLATE	1
5	BALL GUIDE	1
6	CYLINDER BLOCK	1
7	PRESS PIN	3
8	COIL SPRING	1
9	VALVE PLATE L/R	1
	SWASH PLATE	1
	SHAFT BEARING	2
	SEAL KIT	1

# PUMP

# CATERPILLAR

CAT312C,CAT320C,CAT325C,SBS80,SBS120,SBS140

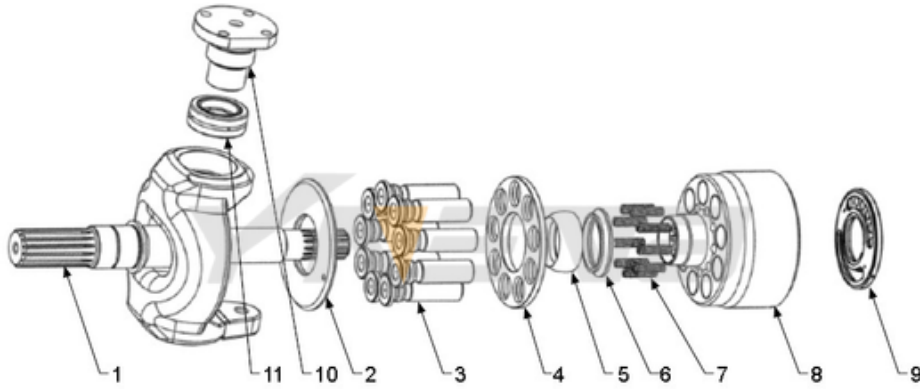


ITEM	DESCRIPTION	QTY (PCS)
1	MAIN SHAFT	1
2	DRIVEN SHAFT	1
3	SADDLE BEARING	8
	SWASH PLATE	2
4	THRUST PLATE	2
5	PISTON	18
6	RETAINER PLATE	2
7	BALL GUIDE	2
8	RETAINER WASHER	8
9	BLOCK SPRING	18
10	CYLINDER BLOCK	2
11	VALVE PLATE L/R	2
	SHAFT BEARING	2
	SEAL KIT	1

# PUMP

## CAT 320, AP12

CATERPILLAR



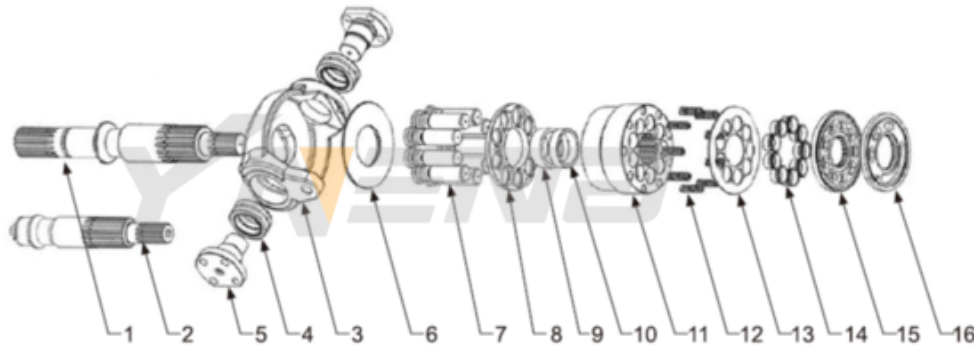
ITEM	DESCRIPTION	QTY (PCS)
1	DRIVE SHAFT	1
2	THRUST PLATE	1
3	PISTON SHOE	9
4	RETAINER PLATE	1
5	BALL GUIDE	1
6	RETAINER WASHER	1
7	BLOCK SPRING	9
8	CYLINDER BLOCK	1
9	VALVE PLATE L/R	1
	SHAFT BEARING	2
	SEAL KIT	1



# PUMP

E200B, MS180

SPK10/10, SPV10/10



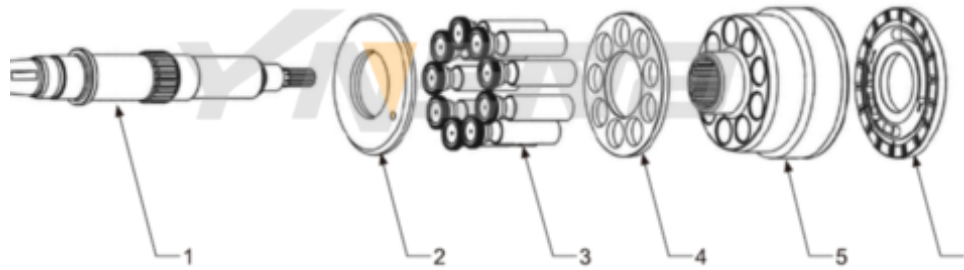
ITEM	DESCRIPTION	QTY (PCS)
1	DRIVE SHAFT FRONT	1
2	DRIVE SHAFT REAR	1
3	SWASH PLATE	2
4	EYE BEARING	4
5	BEARING SEAT	4
6	THRUST PLATE	2
7	PISTON SHOE	18
8	SET PLATE	2
9	BALL GUIDE	2
10	RETAINER WASHER	2
11	CYLINDER BLOCK	1
12	BLOCK SPRING	18
13	RETAINER PLATE	1
14	DRUM SEAL	1
15	BEARING PLATE	2
16	VALVE PLATE L/R	2

**HIGH QUALITY**

*HYDRAULIC PARTS*



## CAT12G,14G,16G,CAT215,225,235,245



ITEM	DESCRIPTION	QTY (PCS)
1	DRIVE SHAFT	1
2	THRUST PLATE	1
3	PISTON SHOE	9
4	RETAINER PLATE	1
5	CYLINDER BLOCK	1
6	VALVE PLATE L/R	1
	SHAFT BEARING	2
	SEAL KIT	1

# PUMP

- CAT 12H, 120H, 135H, 140H, 160H, MOTOR GRADER
- CAT 950G, 950GII, 962G, 962GII, 950H, 962H WHEEL LOADER
- CAT IT62C, IT62G, IT62H INTEGRATED TOOLCARRIER
- CAT 5130, 5130B, 5230B, 5230G MINING EXCAVATOR
- CAT 515, 525, 525B, 535B WHEEL SKIDDER
- CAT D5H, D6M, 517, 527 TRACK SKIDDER
- CAT D6H, D6R TRACK-TYPE TRACTOR
- CAT 824G, 824GII, 854G, 992G, 972G, 972GII, 972H, 996H WHEEL LOADER
- CAT D8R, D9R TRACK-TYPE TRACTOR
- CAT 14H, 16H, 20H, 24H MOTOR GRADER
- CAT 789C, 793, 793B, 793C TRUCK
- CAT 980G, 980GII, 992G, 825G, 825GII, 826GII WHEEL LOADER

ITEM	DESCRIPTION	QTY (PCS)
1	DRIVE SHAFT	1
2	RETAINER	1
	SCEW	4
3	PISTON SHOE	9
4	RETAINER PLATE	1
5	SPACER	1
6	SWASH PLATE	1
7	SADDLE BEARING	3
8	CYLINDER BLOCK ASSY.	1
9	VALVE PLATE L/R	1
10	SHAFT BEARING	2
11	SEAL KIT	1

**CAT 416, 428 BACKHOE LOADER**

**CAT 650B, 800C, 900B, 1000B, 1050B, 1055B ASPHALT PAVER**

**CAT D250E, D300E ARTICULATED TRUCK**

**AP1000, AP1055 B, BG230, BG225C, BG245C, BG255C, BG260C, BG2455C, BG230D ASPHALT PAVER**

**CAT 918F, 924F, 928F, 928G, 988F WHEEL LOADER**

**CAT 30-30, D4H, D4HTSK, D5M, D8L, TRACK-TYPE TRACTOR**

**CAT PM-565, PM-565B COLD PLAYER**

**CAT IT18F, IT24F, IT28F, IT28G INTEGRATED TOOLCARRIER**

**CAT D4H TRACK SKIDDER**

**CAT 65C, 75C, 75D, 85C, 85D CHALLENGER**

ITEM	DESCRIPTION	QTY (PCS)
1	DRIVE SHAFT	1
2	SWASH PLATE	1
3	PISTON SHOE	9
4	RETAINER PLATE	1
5	BALL GUIDE	1
6	RETAINER WASHER	1
7	PRESS PIN	3
8	CYLINDER BLOCK ASSY.	1
9	VALVE PLATE L/R	1
10	BACK UP RING	1
11	SHAFT BEARING	2
12	SEAL KIT	1

**CAT 416B, 426B, 436B, 416C, 426C, 436C, 428C, 416D, 424D, 432D, 442D, 438C, 430D, 420D, 420E, 430E, 450E**

**CAT 990 WHEEL LOADER; CAT 844 WHEEL TRACTOR**

**CAT D11N, D11R TRACK-TYPE TRACTOR**

**CAT D250E, D300E, 730, 725 ARTICULATED TRUCK**

**CAT 711D, 766D, 773D, 773E, 773F, 784C QUARRY OFF HIGHWAY TRUCK**

**CAT 330D, 330DL, 345B, 345BL, 345C, 345CL, 385BL, 385C, 385CL, 5090B EXCAVATOR**

**CAT 12H, 14H, 16H, 120H, 135H, 140H, 13H,160H, 163H MOTOR GRADER**

**CAT 651E, 657E, 657G, 938G, 938H, 950G, 962G WHEEL LOADER**

**CAT IT38G, IT62G INTEGRATED TOOLCARRIER**

**CAT 735, 740, 775, D350E, D400E ARTICULATED TRUCK**

**CAT 554 FORWARDED; CAT 777F TRUCK, CAT 844 WHEEL TRACTOR**

**CAT D6T, D10T TRACK-TYPE TRACTOR; CAT 990 WHEEL LOADER**

**CAT 776D, 777D TRACTOR; CAT 365B, 365BL EXCAVATOR**

**CAT PM-465 COLD PLANER; CAT 825G, 826G, 825H, 836H SOIL COMPACTOR**

**CAT 735, 740, 775, D350E, D400E ARTICULATED TRUCK**

**CAT 554 FORWARDED; CAT 777F TRUCK,; CAT 844 WHEEL TRACTOR**

**CAT D6T, D10T TRACK-TYPE TRACTOR**

**CAT 990 WHEEL LOADER; CAT 776D, 777D TRACTOR**

**CAT 365B, 365BL EXCAVATOR; CAT D8T, D9T TRACK-TYPE TRACTOR**

**CAT 834G, 836G, 834H, 836H WHEEL DOZER**

**CAT 988G, 988H WHEEL DOZER**

**CAT 797 OFF-HIGHWAY TRUCK**

ITEM	DESCRIPTION	QTY (PCS)
1	DRIVE SHAFT	1
2	SADDLE BEARING	2
3	SWASH PLATE L/R	1
4	PISTON SHOE	9
5	RETAINER PLATE	1
6	BALL GUIDE	1
7	CYLINDER BLOCK	1
8	PRESS PIN	3
9	BARREL WASHER	1
10	COIL SPRING	1
11	SNAP RING	1
12	VALVE PLATE L/R	1
13	CONTROL VALVE	1
14	SHAFT BEARING	2
15	SEAL KIT	1

# PUMP

**CAT M312, M313C, M313D EXCAVATOR**

**CAT M315, M318, M316C, M315C, M318C, M315D, M318D EXCAVATOR**

**CAT 623F, 623E, 623G WHEEL TRACTOR**

**CAT 793C, 797B, 797 TRUCK**

**CAT 854G, 992G, 994, 994D WHEEL LOADER**

**CAT 5080 FRONT SHOVEL**

**CAT 375, 375L EXCAVATOR**

ITEM	DESCRIPTION	QTY (PCS)
1	DRIVE SHAFT	1
2	SWASH PLATE L/R	1
3	PISTON SHOE	9
4	RETAINER PLATE	1
5	RETAINER	2
6	BALL GUIDE	1
7	RETAINER WASHER	1
8	CYLINDER BLOCK	1
9	VALVE PLATE L/R	1
10	DISC SPRING	4
11	SADDLE BEARING + SEAT	2
12	CONTROL VALVE	1
13	SHAFT BEARING	2
14	SEAL KIT	1



**CAT M318, M318C, M318D, M320, M322C, M322D EXCAVATOR PUMP**

**CP-663E, 583E, 573E, 533D, 64, 54, 74 VIBRATORY COMPACTOR**

**CB-634C, 534C, 534B, 564D, 535B, 434C, 434B VIBRATORY COMPACTOR**

**CS-663E, 563E, 573D, 573E, 583E, 563D, 583D, 531D, 64 VIBRATORY COMPACTOR**

**CAT D6N TRACK-TYPE TRACTOR PUMP CAT 216, 226, 228 267, 277, 267B, 277B**

**MULTI TERRAIN LOADER HYDROSTATIC PUMP CAT C9, C11, C13, C15, C18**

**PETROLEUM ENGINE CAT CB543D VIBRATORY COMPACTOR**

**CAT D3C, D4G, D5G, D5K, D6N TRACK TYPE TRACTOR, CAT 933C TRACK LOADER**

**CAT PS- 150B, 200B, 150C, 360B, 290B, 360C PNEUMATIC COMPACTOR**

**CAT IT14G, INTEGRATED TOOLCARRIER; CAT 914G WHEEL LOADER**

**CAT D4C, D5C, D6K TRACK TYPE TRACTOR**

**CAT 939C, 953C, 953D, 963, 963C TRACK LOADER**

ITEM	DESCRIPTION	QTY (PCS)
1	DRIVE SHAFT	1
2	SADDLE BEARING + SEAT	2
3	SWASH PLATE L/R	1
4	PISTON SHOE	9
5	RETAINER PLATE	1
6	BALL GUIDE	1
7	RETAINER WASHER	1
8	CYLINDER BLOCK ASSY.	1
9	VALVE PLATE L/R	1
10	CONTROL VALVE	1
11	SHAFT BEARING	1
12	SEAL KIT	1

# PUMP

CATERPILLAR

**CAT 320, 320B, 320BL, 320L, 320N, 322B, 322BL, 322 BLN, 322L, 322LN, 322N, 325B, 325BL, 325L, 325LN E300B EXCAVATOR; CAT 539 KNUCKLE BOOM LOADER  
CAT 215B, 215C, 215D, 219, 219D, 225, 225D, 229, 229D, 231D, M313C EXCAVATOR  
CAT 330, 330B,330BL, 330LN, 330BLN, 330L, 345B, 345BL, 354BLC  
CAT 330C, 330CL, 345B, 345BL, 541, 551, 552, 511,  
CAT TK1051, 1090, 1190, 1290, 1390,TK711, TK721, TK722, TK732, TK741, TK751,  
TK521, 522, 532, 2290 TRACK FELLER BUNCHER**

ITEM	DESCRIPTION	QTY (PCS)
1	DRIVE SHAFT	1
2	DRIVEN SHAFT	1
3	PISTON	14
4	RING	28
5	SET PLATE	2
6	SCREW	28
7	CENTER PIN	2
8	DISC SPRING	8
9	DISC SPRING HOLDER	4
10	CYLINDER BLOCK	2
11	VALVE PLATE L/R	2
12	HEAD COVER	1
13	SHAFT BEARING ((2 BIG + 1 SMALL)	2
14	SEAL KIT	1

**CAT M312, M313C, 322C, CAT 325C, CAT 330C, 330D EXCAVATOR MOTOR TRAVEL  
CAT 939C TRACK LOADER CAT D4C, D5C TRACTOR  
CAT IT14G INTEGRATED TOOLCARRIER  
CAT 1390, TK741, 541 TRACK FELLER BUNCHER  
CAT 5130B MINNING EXCAVATOR CAT 914G WHEEL LOADER**

ITEM	DESCRIPTION	QTY (PCS)
1	DRIVE SHAFT	1
2	CENTER PIN	1
3	PISTON	7
4	RING	14
5	SET PLATE	1
6	SCREW	14
7	DISC SPRING	4
8	DISC SPRING HOLDER	2
9	CYLINDER BLOCK	1
10	VALVE PLATE M	1
11	CONTROL VALVE	1
12	SHAFT BEARING	2
13	SEAL KIT	1

**CAT CS-573, CP-663, CS-683, CS-663, CS-76, CP-76, CS-583,  
CS72 VIBRATORY COMPACTOR**

**CAT 5110B, 5230B MINING EXCAVATOR**

**CAT AP-1055B, BG-2455C ASPHALT PAVER**

**CAT 215B, 215C, 219, 219D, 225, 225B, 225D, 227, 229 EXCAVATOR**

**CAT 623E, 623F, 623G WHEEL SCRAPER**

**CAT 5130, 5130B, 5230 MINING EXCAVATOR**

**CAT D6H, D6R, D7H, D7R, D8N, D8R, B8T, D9R, D9T, D10T, D11R, D11T TRACTOR**

**CAT 844H, 988F, 990H WHEEL LOADER CAT 797 TRUCK**

ITEM	DESCRIPTION	QTY (PCS)
1	DRIVE SHAFT	1
2	CENTER PIN	1
3	PISTON	7
4	RING	14
5	SET PLATE	1
6	SCREW	14
7	DISC SPRING	4
8	DISC SPRING HOLDER	2
9	CYLINDER BLOCK	1
10	VALVE PLATE M	1
11	SHAFT BEARING	2
12	SEAL KIT	1

**CAT 311B, 312, 312B, 315, 315L, 315B, 317, 317B, 317N, 318B EXCAVATOR**

**CAT 350, 350L EXCAVATOR**

**CAT 330D, 330DL, 330DN, 336D, 336DL, 345C, 345CL EXCAVATOR**

ITEM	DESCRIPTION	QTY (PCS)
1	DRIVE SHAFT-F	1
1	DRIVE SHAF-R	1
2+3	SWASH PLATE + SUPORT	2
4	THRUST PLATE	2
5	PISTON SHOE	18
6	RETAINER PLATE	2
7+8	BALL GUIDE + WASHER	2
9	BLOCK SPRING	18
10	CYLINDER BLOCK	2
11	VALVE PLATE L/R	2
12	SHAFT BEARING	4
13	SEAL KIT	1

**CAT 320, 320BL, 320L, 320N, 345B, 345BL**

**CAT 322BL, 322L, 325B, 325, 325BL, 325L, 325LN, 330, 330B, 330BL, 330L 350, 350L,**

**CAT 375, 375L, 352 BL, M325B, W330B EXCAVATOR**

**CAT 5080 FRONT SHOVEL**

**CAT TK1051 TRACK FELLER BUNCHER**

**CAT 365C, 385B, 385C EXCAVATOR, 5090B FRONT SHOVEL**

ITEM	DESCRIPTION	QTY (PCS)
1	DRIVE SHAFT	1
2	THRUST PLATE	1
3	PISTON SHOE	9
4	RETAINER PLATE	1
5+6	BALL GUIDE + WASHER	1
7	PRESS PIN	3
8	CYLINDER BLOCK	1
9	COIL SPRING	1
10	SNAP RING	1
11	VALVE PLATE M	1
12	SEPARATION PLATE	3
13	FRICITION PLATE	2
14	SEAL KIT	1

**CAT 322C, 324D, 325C, 325D, 328D, 330C, 330D, 345C, 345D**

ITEM	DESCRIPTION	QTY (PCS)
1	DRIVE SHAFT	1
2	THRUST PLATE	1
3	PISTON SHOE	9
4	RETAINER PLATE	1
5	SPRING PLATE	1
6	CYLINDER BLOCK	1
7	SEPARATION PLATE	3
8	FRICTION PLATE	2
9	VALVE PLATE M	1
10	SEAL KIT	1

**CAT D6H, D6R TRACTOR**

**CAT 205B, 206B, 235C, 235D, 245B EXCAVATOR**

**CAT 211B, 212B, 213B, 214B, 224B EXCAVATOR**

**CAT D7H, D8N TRACK-TYPE TRACTOR**

ITEM	DESCRIPTION	QTY (PCS)
1	VALVE PLATE L/R	1
2	DRIVE SHAFT	1
3	SNAP RING	1
4	BARREL WASHER	2
5	COIL SPRING	1
6	CYLINDER BLOCK	1
7	PRESS PIN	3
8	BALL GUIDE	1
9	RETAINER PLATE	1
10	PISTON SHOE	9
11	SWASH PLATE	1
12	SADDLE BEARING	2
13	SUPPORT	1
14	SERVO PISTON LONG	1
15	SERVO PISTON SHORT	1
16	SHAFT BEARING	2
17	SEAL KIT	1



**CAT 550, 570, 580, 550B, 560B, 570B, 580B WHEEL HARVESTER**

**CAT 554, 574 FORWARDED**

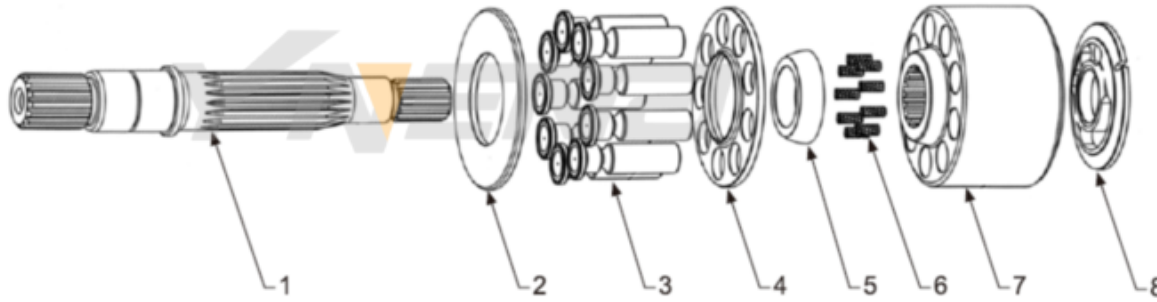
**CAT 65, 65B, 65C, 65D, 70C, 75, 75C, 85C CHALLENGER**

ITEM	DESCRIPTION	QTY (PCS)
1	VALVE PLATE	1
2	CYLINDER BLOCK	1
3	CENTER PIN	1
4	RETAINER PLATE	1
5	PISTON SHOE	1

# LPVD, DPVP

LIEBHERR

LPVD45,64,75,90,100,107,125,140,250  
DPVP108



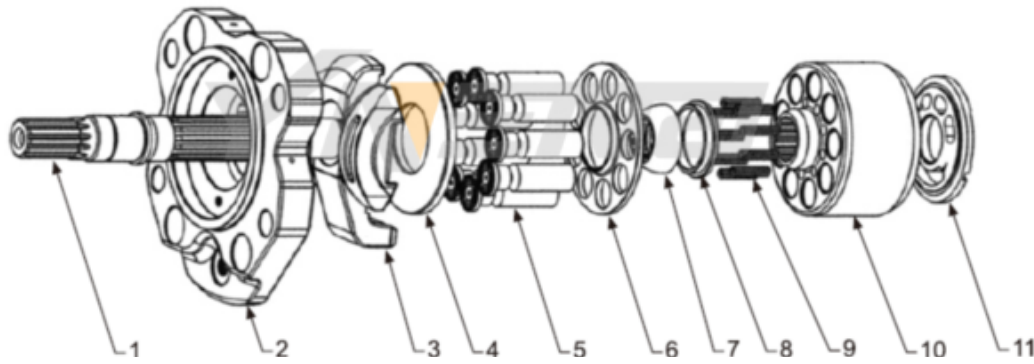
ITEM	DESCRIPTION	QTY (PCS)
1	DRIVE SHAFT FRONT	1
1	DRIVE SHAFT REAR	1
2	THRUST PLATE	2
3	PISTON SHOE	18
4	RETAINER PLATE	2
5	BALL GUIDE	2
6	BLOCK SPRING	18
7	CYLINDER BLOCK	2
8	VALVE PLATE L/R	2
	SWASH PLATE	1
	SHAFT BEARING	2
	SEAL KIT	1

# K3V, K5V

K3V45,63,112,140,180,280

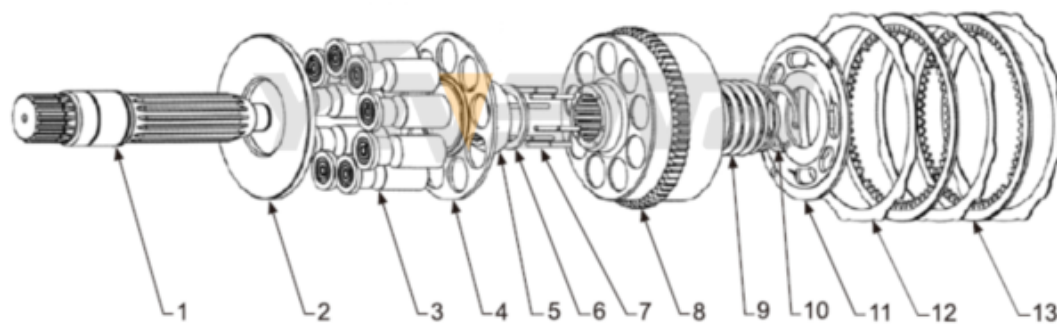
K5V80,140,160,180,200

KAWASAKI



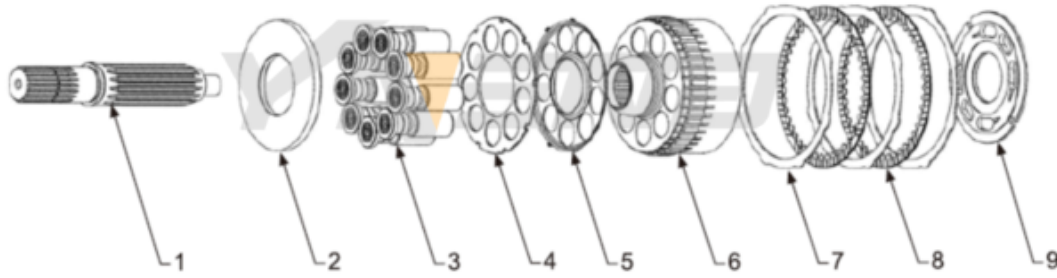
ITEM	DESCRIPTION	QTY (PCS)
1	DRIVE SHAFT-F	1
1	DRIVE SHAF-R	1
2+3	SWASH PLATE + SUPORT	2
4	THRUST PLATE	2
5	PISTON SHOE	18
6	RETAINER PLATE	2
7+8	BALL GUIDE + WASHER	2
9	BLOCK SPRING	18
10	CYLINDER BLOCK	2
11	VALVE PLATE L/R	2
	SHAFT BEARING	4
	SEAL KIT	1

**M2X63,96,120,146,150,170,210**



ITEM	DESCRIPTION	QTY (PCS)
1	DRIVE SHAFT	1
2	THRUST PLATE	1
3	PISTON SHOE	9
4	RETAINER PLATE	1
5+6	BALL GUIDE + WASHER	1
7	PRESS PIN	3
8	CYLINDER BLOCK	1
9	COIL SPRING	1
10	SNAP RING	1
11	VALVE PLATE M	1
12	SEPARATION PLATE	3
13	FRICITION PLATE	2
	SEAL KIT	1

## M5X130,180

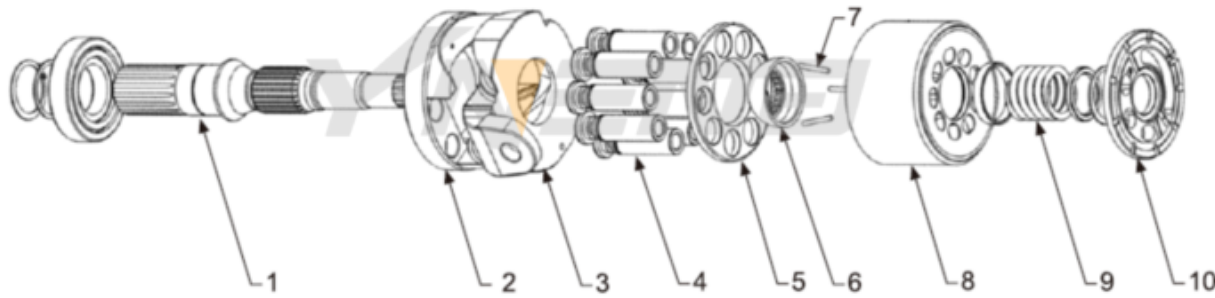


ITEM	DESCRIPTION	QTY (PCS)
1	DRIVE SHAFT	1
2	THRUST PLATE	1
3	PISTON SHOE	9
4	RETAINER PLATE	1
5	SPRING PLATE	1
6	CYLINDER BLOCK	1
7	SEPARATION PLATE	3
8	FRICTION PLATE	2
9	VALVE PLATE M	1
	SEAL KIT	1

# HPV

KOMATSU

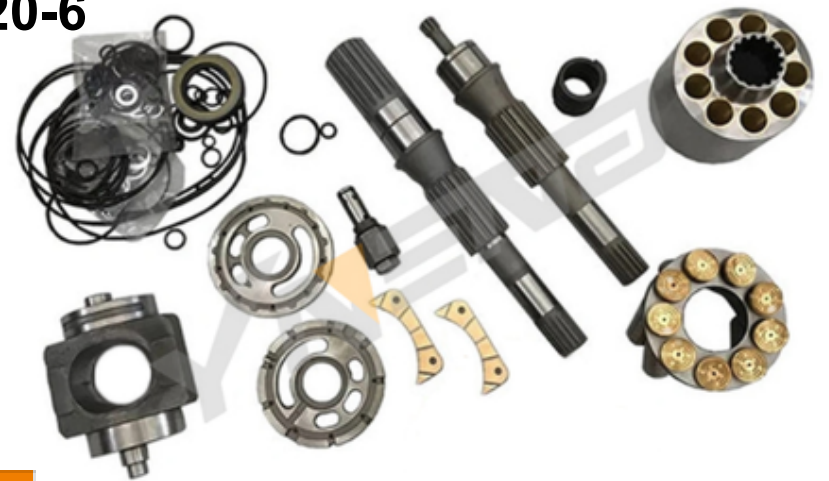
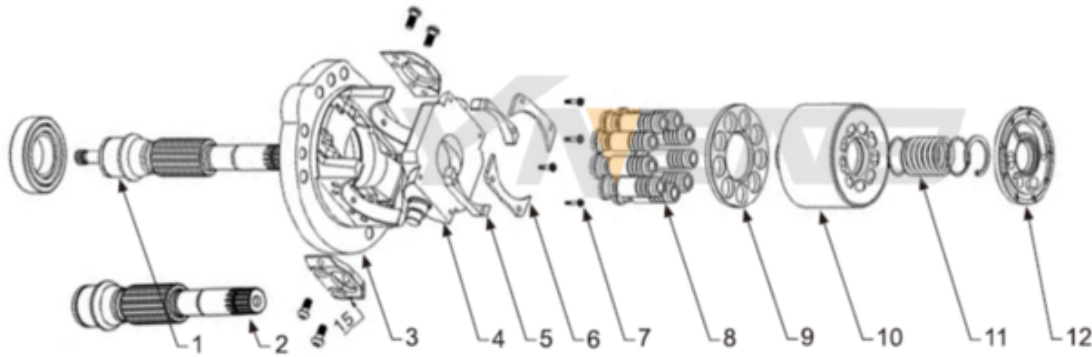
HPV95(PC200-6,PC22-6,PC200-7,PC220-7), HPV132(PC300-6),  
HPV140(PC360-7,PC300-7 NEW,PC300-8),HPV160(PC300/400-5)



ITEM	DESCRIPTION	QTY (PCS)
1	DRIVE SHAFT FRONT	1
1	DRIVE SHAFT REAR	1
2+3	SWASH PLATE + SUPORT	2
4	PISTON SHOE	18
5	RETAINER PLATE	2
6	BALL GUIDE	2
7	PRESS PIN	6
8+9	CYLINDER BLOCK ASSY.	2
10	VALVE PLATE L/R	2
	SHAFT BEARING	4
	SEAL KIT	1

HPV35,55,90

PC55/56,PC60,PC120,PC200-3,PC200-5,PC120-6

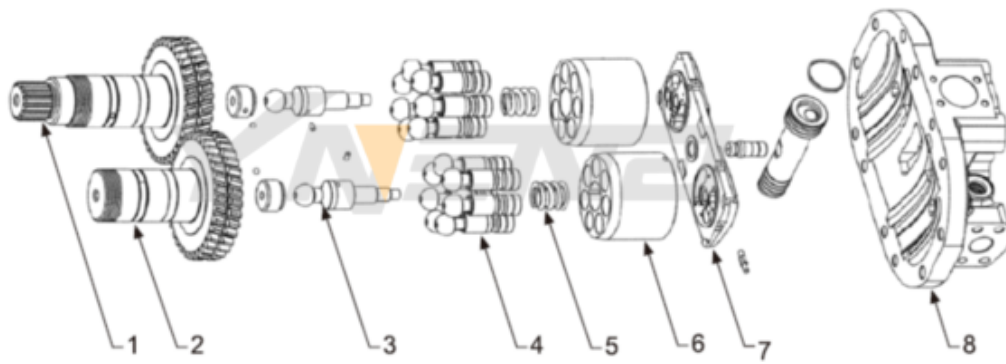


ITEM	DESCRIPTION	QTY (PCS)
1	DRIVE SHAFT FRONT	1
2	DRIVE SHAFT REAR	1
3+4	SWASH PLATE + SUPORT	2
5	SPACR	2
6	RETAINER	2
7	SCREW	8
8	PISTON SHOE	18
9	RETAINER PLATE	2
10+11	CYLINDER BLOCK ASSY.	2
12	VALVE PLATE L/R	2
	SHAFT BEARING	4
	SEAL KIT	1

# HPV091

HITACHI

## HPV091(EX200-2/3,DOUBLE PUMP, EX120-2, SINGLE PUMP)



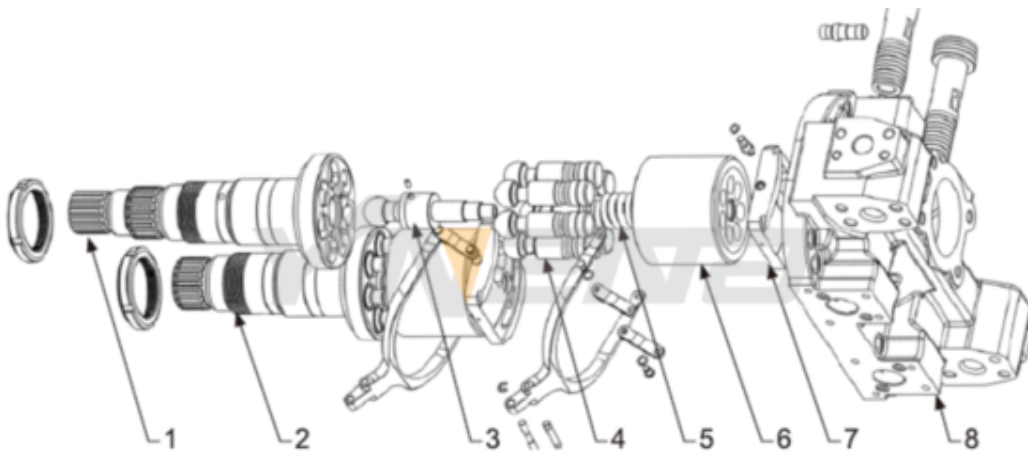
ITEM	DESCRIPTION	QTY (PCS)
1	MAIN SHAFT	1
2	DRIVE SHAFT	1
3	CENTER PIN	2
4	PISTON	14
5	SPRING	2
6	CYLINDER BLOCK	2
7	VALVE PLATE	1
8	HEAD COVER	1
	SHAFT BEARING	4
	SEAL KIT	1



# HPV102/118

HITACHI

HPV102(EX200-5/6), HPV118(ZX200-3)

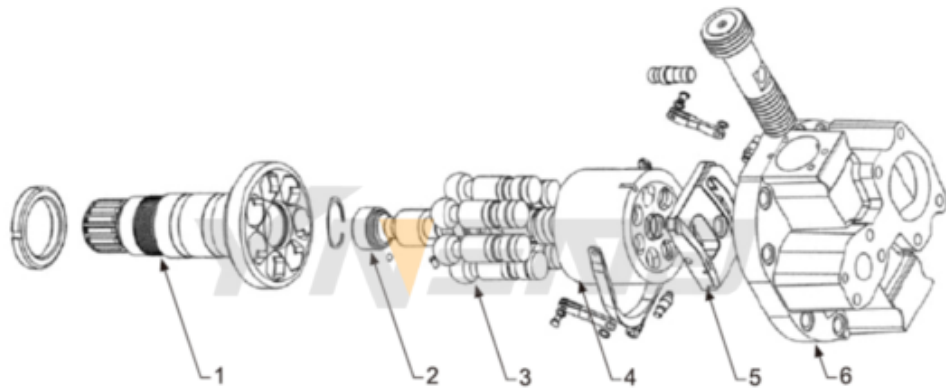


ITEM	DESCRIPTION	QTY (PCS)
1	MAIN SHAFT	1
2	DRIVE SHAFT	1
3	CENTER PIN	2
4	PISTON	14
5	SPRING	2
6	CYLINDER BLOCK	2
7	VALVE PLATE	1
8	HEAD COVER	1
	SHAFT BEARING	4
	SEAL KIT	1

# HPV116/145

HITACHI

HPV116(EX200-1),HPV145(EX300-1/2/3)



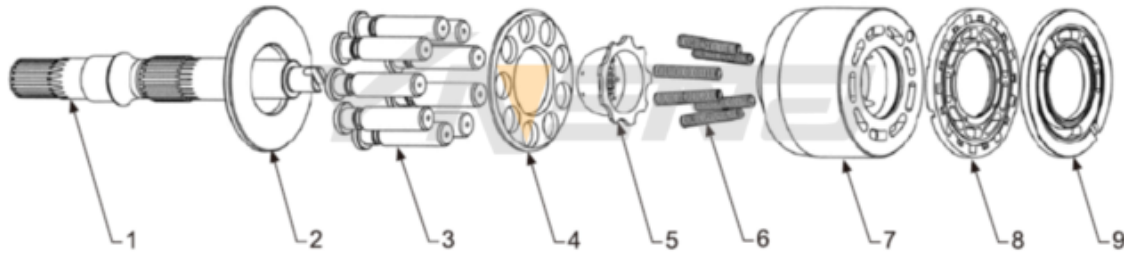
ITEM	DESCRIPTION	QTY (PCS)
1	DRIVE SHAFT	1
2	CENTER PIN	1
3	PISTON	7
4	CYLINDER BLOCK	1
5	VALVE PLATE	1
6	HEAD COVER	1
	SHAFT BEARING	2
	SEAL KIT	1

# 20 SERIES

PV20,21,22,23,24,25,26,27

SPV6-119

SAUER



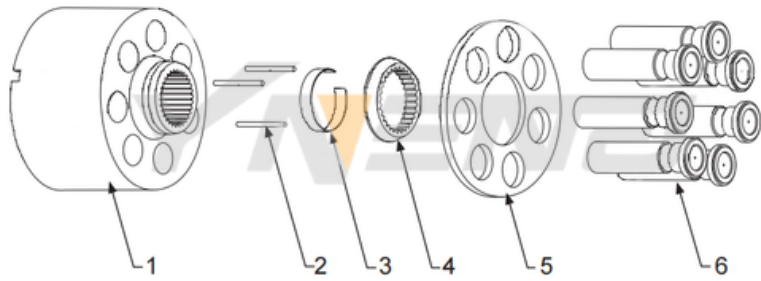
ITEM	DESCRIPTION	QTY (PCS)
1	DRIVE SHAFT	1
2	THRUST PLATE	1
3	PISTON SHOE	9
4	RETAINER PLATE	1
5	BALL GUIDE	1
6	BLOCK SPRING	6
7	CYLINDER BLOCK SSSY.	1
8	BEARING PLATE	1
9	VALVE PLATE R/L/M	1
	CONTROL VALVE	1
	VALVE ASSEMBLY	1
	SHAFT SEAL ASSY.	2
	SHAFT BEARING	2
	SEAL KIT	1
	CHAGR PUMP	1

# 40,42 SERIES

MPV025,35,44,46, M44, M46

MPT025,35,44,46

SAUER



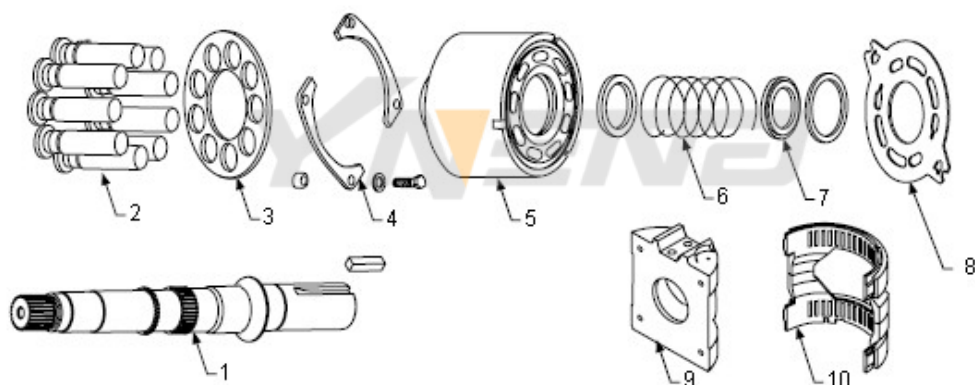
ITEM	DESCRIPTION	QTY (PCS)
1	DRIVE SHAFT	1
2	CYLINDER BLOCK	1
3	PRESS PIN	3
4	RETAINER WASHER	1
5	RETAINER PLATE	1
6	PISTON SHOE	9
	VALVE PLATE	1
	METAL	2
	SWASH PLATE	1
	SHAFT BEARING	2
	SEAL KIT	1
	CHARGE PUMP	1

# 90 SERIES

PV90R42,55,75,100,130,180,250

PV90M55,75,100,130

SAUER

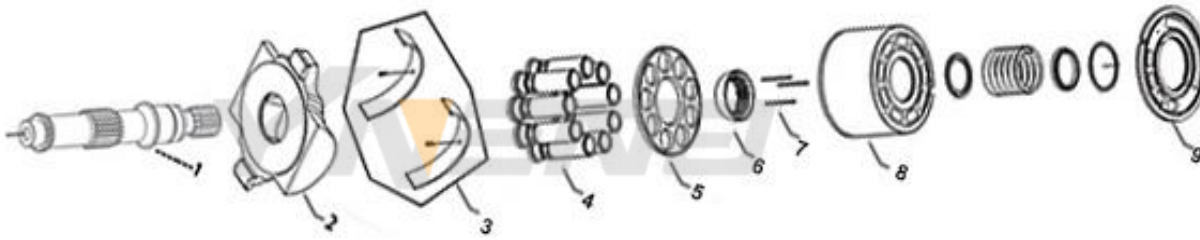


ITEM	DESCRIPTION	QTY (PCS)
1	DRIVE SHAFT	1
2	PISTON SHOE	9
3	RETAINER PLATE	1
4	RETAINER	1
5+6+7	CYLINDER BLOCK SSSY.	1
8	VALVE PLATE R/L/M	1
9	SWASH PLATE L/R/M	1
	CONTROL VALVE	1
	SHAFT BEARING + SEAT	2
	SEAL KIT	1
	CHAGR PUMP	1

# 45 SERIES (E, F, J, K/L)

ERR(ERL), FRR(FRL), JRR(JRL) , KRR/LRR(KRL)

SAUER

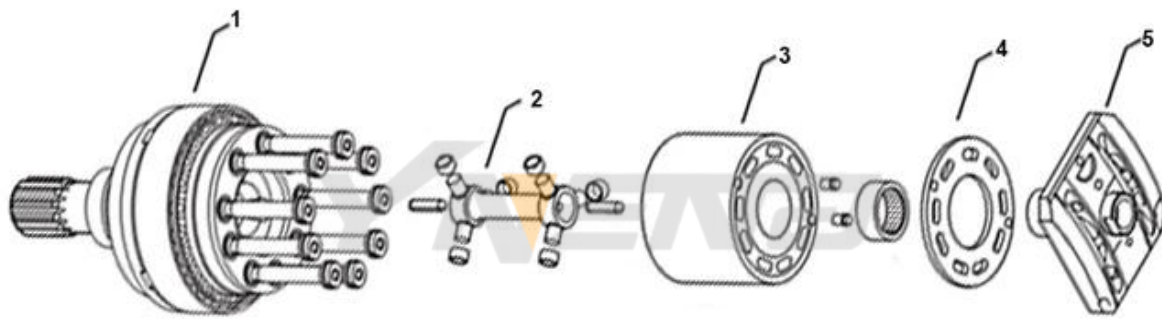


ITEM	DESCRIPTION	QTY (PCS)
1	DRIVE SHAFT	1
2	SWASH PLATE	1
3	SADDLE BEARING	2
4	PISTON SHOE	9
5	RETAINER PLATE	1
6	BALL GUIDE	1
7	PREE PIN	3
8	CYLINDER BLOCK ASSY.	1
9	VALVE PLATE L/R	1
	SHAFT BEARING	2
	SEAL KIT	1

# 51 SERIES

51V/C/D-060,080,110,160,250

SAUER

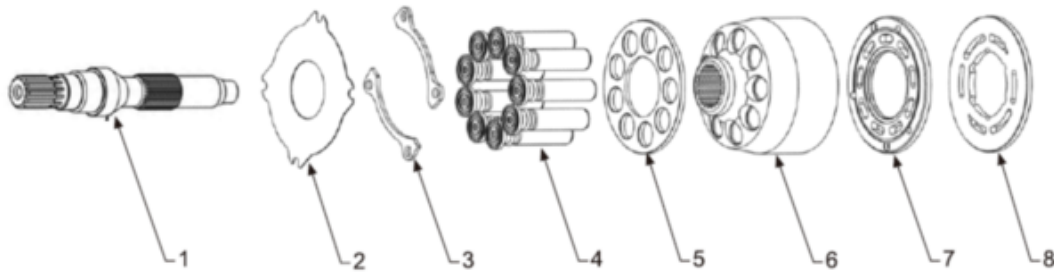


ITEM	DESCRIPTION	QTY (PCS)
1	PISTON+SHAFT ASSY.	1
2	CENTER PIN WITH BALLS	1
3	CYLINDER BLOCK	1
4	BEARING PLATE	1
5	VALVE PLATE	1
	SEAL KIT	1

# 33 39 46 54 76 SERIES

EATON, VICKERS

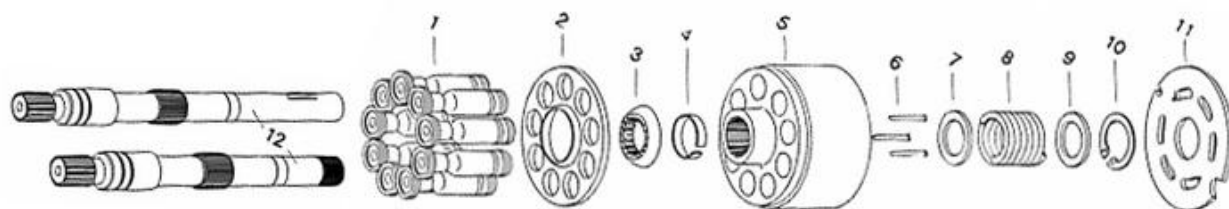
3321(3331),3322,3932-243,4621(4631),4631,5421(5431). 6423.7620(7621)



ITEM	DESCRIPTION	QTY (PCS)
1	DRIVE SHAFT	1
2	THRUST PLATE	1
3	RETAINER	2
4	PISTON SHOE	9
5	RETAINER PLATE	
6	CYLINDER BLOCK	1
7	BEARING PLATE	1
8	VALVE PLATE	1
	SHAFT BEARING	2
	SHAFT SEAL ASSY.	1
	SEAL KIT	1



70122 72400 72450 78461 78462 78162

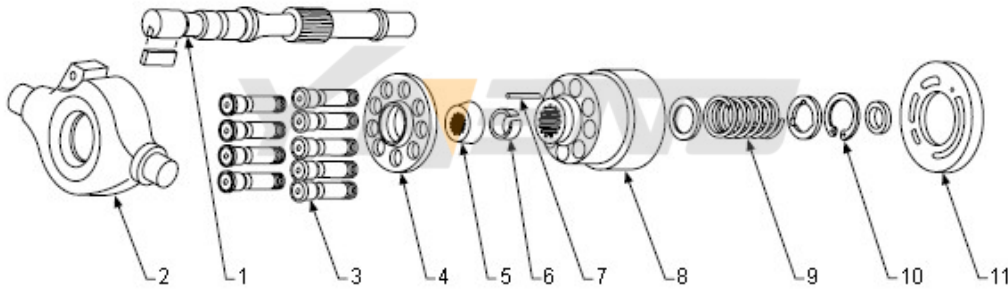


ITEM	DESCRIPTION	QTY (PCS)
12	DRIVE SHAFT	1
1	PISTON SHOE	9
2	RETAINER PLATE	1
3	BALL GUIDE	2
4	RETAINER WASHER	1
5	CYLINDER BLOCK	1
6	PRESS PIN	3
7,9	BARREL WASHER	2
10	COIL SPRNG	1
11	VALVE PLATE L/R/M	1
	SHAFT BEARING	2

# PVE,TA19 19

EATON, VICKERS

## PVE12,19,21 TA1919

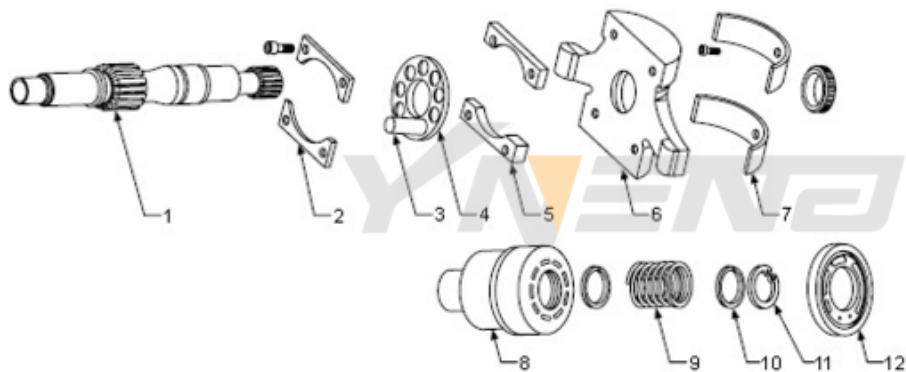


ITEM	DESCRIPTION	QTY (PCS)
1	DRIVE SHAFT	1
2	SWASH PLATE	1
3	PISTON SHOE	9
4	RETAINER PLATE	1
5	BALL GUIDE	1
6	RETAINER WASHER	1
7	PRESS PIN	3
8+9+10	CYLINDER BLOCK ASSY.	1
11	VALVE PLATE L/R	1
	BACK UP RING	1
	SHAFT BEARING	2
	SEAL KIT	1

# PVH

PVH57,74,98,106,131,141

PVE27,35,47,62



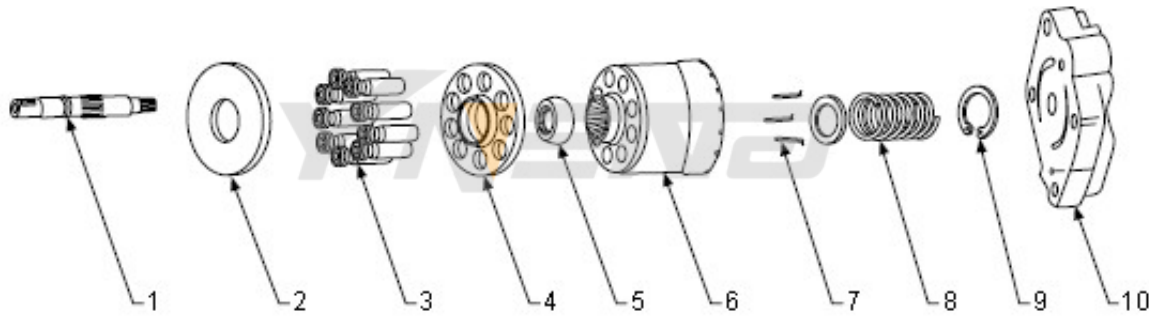
# EATON, VICKERS



ITEM	DESCRIPTION	QTY (PCS)
1	DRIVE SHAFT	1
2	RETAINER	1
	SCEW	4
3	PISTON SHOE	9
4	RETAINER PLATE	1
5	SPACER	1
6	SWASH PLATE	1
7	SADDLE BEARING	3
8+9+10+11	CYLINDER BLOCK ASSY.	1
12	VALVE PLATE L/R	1
	SHAFT BEARING	2
	SEAL KIT	1

# PVB

PVB5,6,10,15,20,29



# EATON, VICKERS



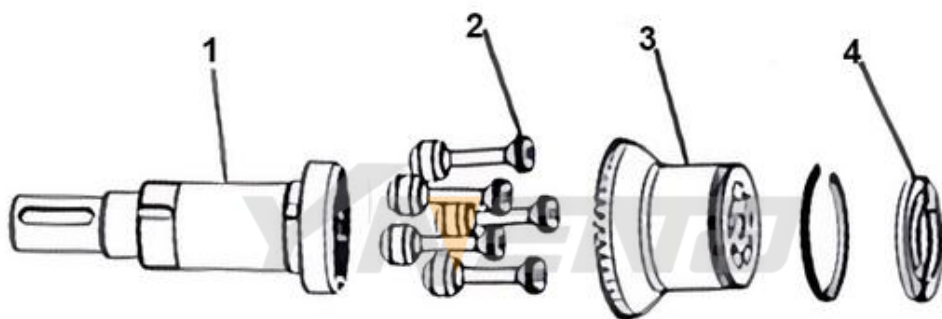
ITEM	DESCRIPTION	QTY (PCS)
1	DRIVE SHAFT	1
2	THRUST PLATE	1
3	PISTON SHOE	9
4	BALL GUIDE	1
5+7+8+9	CYLINDER BLOCK ASSY.	1
10	VALVE PLATE L/R	1
	SHAFT BEARING	2
	SEAL KIT	1

# F11, F12

PAKER

F11-005,006,012,014,019,110,150,250

F12-030,040,060,080,110,125,150,250



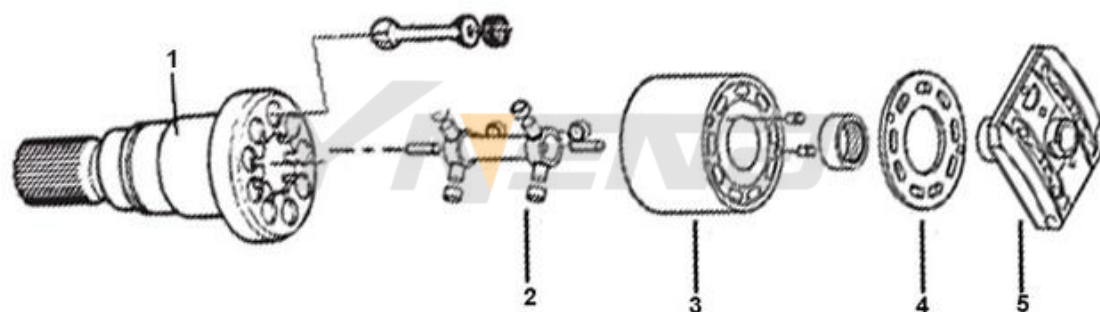
ITEM	DESCRIPTION	QTY (PCS)
1	DRIVE SHAFT	1
2	PISTON	5
3	CYLINDER BLOCK	1
4	VALVE PLATE	1
	DRIVE GEAR	1
	SEAL KIT	1

# V12, V14

PAKER

V12-060,080,160

V14-110,160



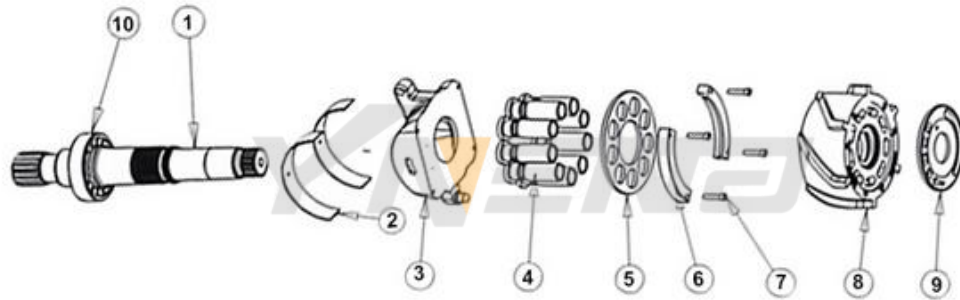
ITEM	DESCRIPTION	QTY (PCS)
1	DRIVE SHAFT WITH PISTON	1
2	CENTER PIN	1
3	CYLINDER BLOCK	9
4	BEARING PLATE	1
5	VALVE PLATE M	1
	SEAL KIT	1

# P2, P3

PAKER

P2-060,075,105,145

P3-060,075,105,145

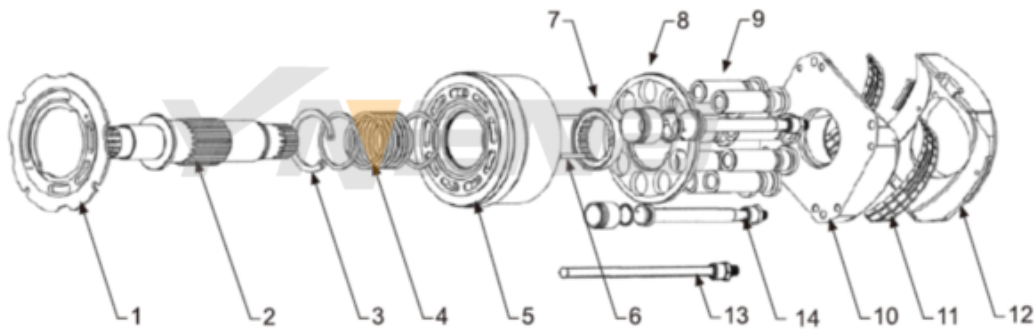


ITEM	DESCRIPTION	QTY (PCS)
1	DRIVE SHAFT	1
2	SADDLE BEARING	2
3	SWASH PLATE	1
4	PISTON SHOE	9
5	RETAINER PLATE	1
6	RETAINER	1
8	CYLINDER BLOCK	1
9	VALVE PLATE L/R	1
	SHAFT BEARING	1
	SEAL KIT	1

# HPR75,100,105

LINDE

## HPR75.100.105



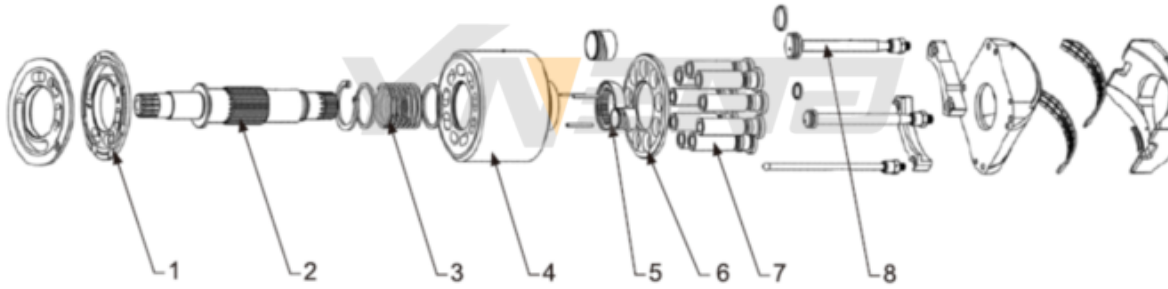
ITEM	DESCRIPTION	QTY (PCS)
1	VALVE PLATE L/R	1
2	DRIVE SHAFT	1
3	SNAP RING	1
4	BARREL WASHER	2
4	COIL SPRING	1
5	CYLINDER BLOCK	1
6	PRESS PIN	3
7	BALL GUIDE	1
8	RETAINER PLATE	1
9	PISTON SHOE	9
	SWASH PLATE	1
	SADDLE BEARING	2
	SUPPORT	1
	SERVO PISTON LONG	1
	SERVO PISTON SHORT	1
	SHAFT BEARING	2
	SEAL KIT	1



# HPR130,160

LINDE

## HPR130,160



ITEM	DESCRIPTION	QTY (PCS)
1	VALVE PLATE (A/B) L/R	1
2	DRIVE SHAFT	1
3+4	CYLINDER BLOCK ASSY.	1
5	BALL GUIDE	1
6	RETAINER PLATE	1
7	PISTON SHOE	9
8	SERVO PISTON -BIG	1
	SERVO PISTON-SMALL	1
	PUSH ROD	1
	RETAINER	2
	SWASH PLATE	1
	SADDLE BEARING	2
	SUPPORT	1
	SHAFT BEARING	2
	SEAL KIT	1

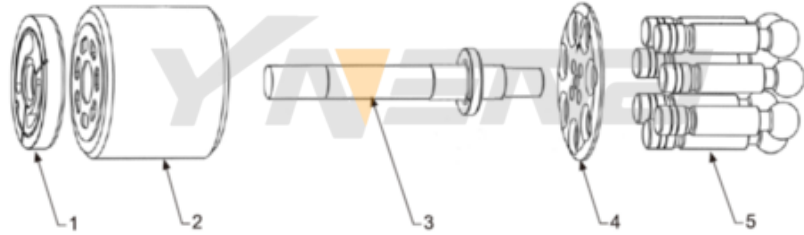
# BPV, B2PV, BPR

LINDE

**BPV35,50,70**

**B2PV35,50,75,105,140**

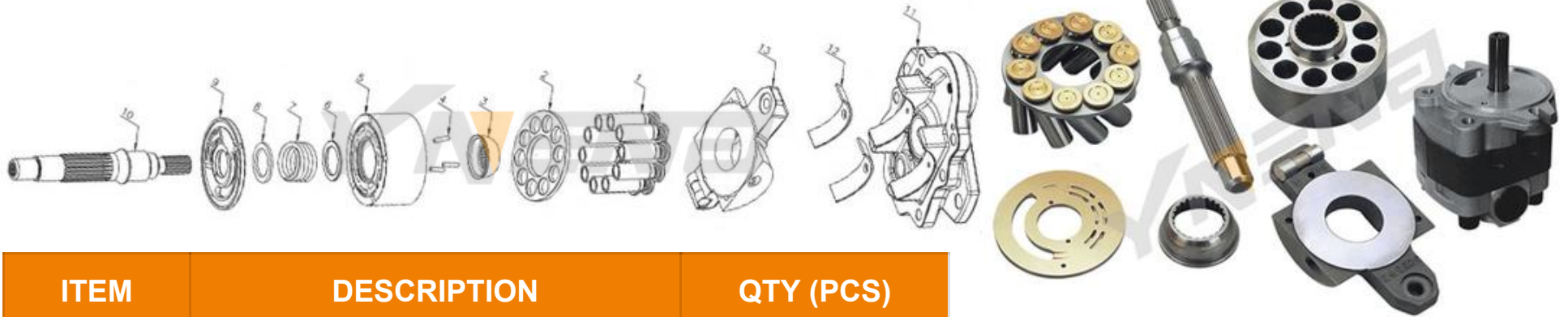
**BPR140,186,260**



ITEM	DESCRIPTION	QTY (PCS)
1	VALVE PLATE	1
2	CYLINDER BLOCK	1
3	CENTER PIN	1
4	RETAINER PLATE	1
5	PISTON SHOE	1

# PSVD2-13E,16E,17E,19E,21E,26E,27E,57E

PSVD2-13E,16E,17E,19E,21E,26E,27E,57E

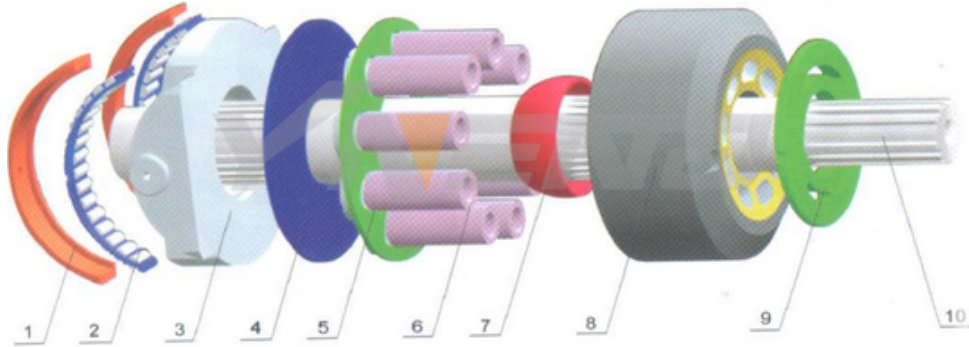


ITEM	DESCRIPTION	QTY (PCS)
1	PISTON SHOE	10
2	RETAINER PLATE	4
3	BALL GUIDE	2
4	PRESS PIN	2
5	CYLINDER BLOCK	18
6,8	BARREL WASHER	2
7	COIL SPRING	2
9	VALVE PLATE L/R	2
10	DRIVE SHAFT	2
	SADDLE BEARING	2
	SWASH PLATE	1
	SUPPORT	1
	SHAFT BEARING	2
	SEAL KIT	1

# PSV2-55T,60T,62T,63T,66T

KYB

## PSV2-55T,60T,62T,63T,66T



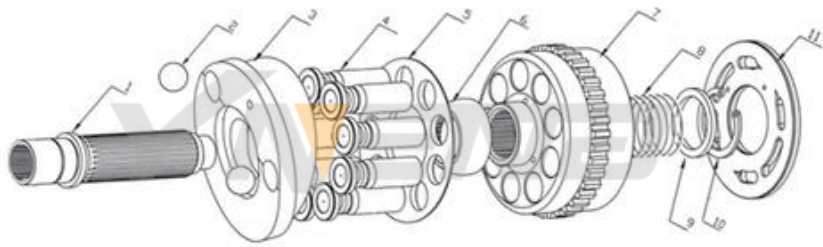
ITEM	DESCRIPTION	QTY (PCS)
1	SADDLE BEARING SEAT	4
2	SADDLE BEARING	4
3	SWASH PLATE	2
4	THRUST PLATE	2
5	PISTON SHOE	18
6	RETAINER PLATE	2
7	BALL GUIDE	2
8	CYLINDER BLOCK	2
9	VALVE PLATE L/R	2
10	DRIVE SHAFT	2
	DISC SPRING	8
	SHAFT BEARING	2
	SEAL KIT	1

# MSF, MAG

KYB

**MAG10,12 ,18,26,33,44,50,85,120,150,170,200,230VP,330**

**MSF18,23,27,37,40,45,46,52,53,56,59,65,85,89,170,200,230,250,340**



ITEM	DESCRIPTION	QTY (PCS)
1	DRIVE SHAFT	1
2	BALL	2
3	SWASH PLATE	1
4	PISTON SHOE	9
5	RETAINER PLATE	1
6	BALL GUIDE	1
7	CYLINDER BLOCK	1
8	COIL SPRING	1
9	BARREL WASHER	1
10	SNAP RING	1
11	VALVE PLATE M	1
	FRICITION PLATE	3
	SEPERATION PLATE	4
	SHAFT BEARING	1
	SEAL KIT	1

BRAND	MODEL
JEIC	JMV-44/22, 45/48, 53/31, 76/45,147/95,155/89
	JMF29/33/36/43/47/53/64/80/151
HAWE	V30D45,75,95,115,140,160,250
	V60N-60,90,110
TOSHIBA	SG015,02,025,04,08,12,20,25
	MFB40,80,100,150,160,170,180,190,200,210
	PV090,092,PVB92,PSVS90
DAKIN	V15,18,23,38,50,70
	PVD21,22,23,24
OILGEAR	PVG048,065,075,100,130
	PVK140,270,370;PVV200,250,440,540
KUBOTA	KX155,161,163
	HPVMF16,23,32
TEIJIN SEIKI	GM03,05,06,07,08,09,10,17,18,20,23,24,28,35,38VL

WELCOME TO NINGBO YINENG HYDRAULICS CO LTD

PLEASE LOOKING FORWARD TO MORE OF OUR PRODUCTS.  
WELCOME TO INQUIRY HYDRAULIC PARTS FOR MORE MODELS,  
THANK YOU!

## A4VG, A4VTG, A10VG

NO.	PHOTO/DESCRIPTION	PUMP NO.	COUPLER TEETH/FRONT	COUPLER TEETH/ REAR	YN CODE NO.	FLANGE
1	No Tandem pump	A4VG28	Z16		YCPA4VG28-F00	
2	Tandem pump	A4VG28	Z16	Z15	YCPA4VG28-F04	SAE-B
3	No Tandem pump	A4VG40	Z15		YCPA4VG40-F00	
4	Tandem pump	A4VG40	Z15	Z9	YCPA4VG40-F01	SAE-A
5	Tandem pump	A4VG40	Z15	Z13	YCPA4VG40-F02	SAE-B
6	Tandem pump	A4VG40	Z15	Z15	YCPA4VG40-F04	SAE-B
7	Tandem pump	A4VG40	Z15	Z15	YCPA4VG40-F09	SAE-C
8	No Tandem pump	A4VG56	Z21		YCPA4VG56-F00	
9	Tandem pump	A4VG56	Z21	Z9	YCPA4VG56-F01	SAE-A
10	Tandem pump	A4VG56	Z21	Z13	YCPA4VG56-F02	SAE-B
11	Tandem pump	A4VG56			YCPA4VG56-F04	
12	Tandem pump	A4VG56	Z21	Z14	YCPA4VG56-F07	SAE-C
13	No Tandem pump	A4VG71	Z22		YCPA4VG71-F00	
14	Tandem pump	A4VG71	Z22	Z9	YCPA4VG71-F01	SAE-A
15	Tandem pump	A4VG71	Z22	Z13	YCPA4VG71-F02	SAE-B
16	Tandem pump	A4VG71	Z22	Z15	YCPA4VG71-F04	SAE-B
17	Tandem pump	A4VG71	Z22	Z14	YCPA4VG71-F07	SAE-C
18	No Tandem pump	A4VG90	Z24		YCPA4VG90-F00	
19	Tandem pump	A4VG90	Z24	Z9	YCPA4VG90-F01	SAE-A
20	Tandem pump	A4VG90	Z24	Z13	YCPA4VG90-F02	SAE-B
21	Tandem pump	A4VG90	Z24	Z14	YCPA4VG90-F07	SAE-C
22	No Tandem pump	A4VTG71	Z22		YCPA4VTG71-F00	
23	No Tandem pump	A4VTG90-A	Z13		YCPA4VTG90A-F00	
24	No Tandem pump	A4VTG90-B	Z24		YCPA4VTG90B-F00	
25	Tandem pump	A4VG90	Z9		YCPA4VTG90-F01	





## A4VG, A4VTG, A10VG

NO.	PHOTO/DESCRIPTION	PUMP NO.	COUPLER TEETH/FRONT	COUPLER TEETH/ REAR	YN CODE NO.	FLANGE
26	No Tandem pump	A4VG125	Z26		YCPA4VG125-F00	
27	Tandem pump	A4VG125	Z26	Z9	YCPA4VG125-F01	SAE-A
28	Tandem pump	A4VG125	Z26	Z13	YCPA4VG125-F02	SAE-B
29	Tandem pump	A4VG125	Z26	Z15	YCPA4VG125-F04	SAE-B
30	Tandem pump	A4VG125	Z26	Z14	YCPA4VG125-F07	SAE-C
31	Tandem pump	A4VG125	Z26	Z13	YCPA4VG125-F69	SAE-D
32	Tandem pump	A4VG145	Z30	biger Z13	YCPA4VG145	
33	No Tandem pump	A4VG180	Z30		YCPA4VG180-F00	
34	Tandem pump	A4VG180	Z30	Z13	YCPA4VG180-F02	SAE-B
35	Tandem pump	A4VG180	Z30	Z13	YCPA4VG180-F69	SAE-D
36	Tandem pump	A4VG180	Z30	Z13	YCPA4VG180-F72	SEA-E
37	No Tandem pump	A4VG250	Z27		YCPA4VG250-F00	
38	Tandem pump	A4VG250	Z27	Z13	YCPA4VG250-F72	SEA-E
39	Tandem pump	A4VG250			YCPA4VG250-F07	
40	Tandem pump	A4VG250			YCPA4VG250-F69	
41	Tandem pump	A4VG250			YCPA4VG250-F02	
42	No Tandem pump	A10VG28	Z9		YCPA10VG28-F00	
43	Tandem pump	A10VG28	Z9	Z9	YCPA10VG28-F01	SAE-A
44	Tandem pump	A10VG28	Z9	Z13	YCPA10VG28-F02	SAE-B
45	Tandem pump	A10VG28	Z9	Z15	YCPA10VG28-F04	SAE-B
46	No Tandem pump	A10VG45	Z15		YCPA10VG45-F00	
47	Tandem pump	A10VG45	Z15	Z9	YCPA10VG45-F01	SAE-A
48	Tandem pump	A10VG45	Z15	Z13	YCPA10VG45-F02	SAE-B
49	Tandem pump	A10VG45	Z15	Z15	YCPA10VG45-F04	SAE-B
50	No Tandem pump	A10VG63	Z21		YCPA10VG63-F00	
51	Tandem pump	A10VG63	Z21	Z9	YCPA10VG63-F01	SAE-A
52	Tandem pump	A10VG63	Z21	Z13	YCPA10VG63-F02	SAE-B

# CONTROL VALVE

REXROTH



A10VSO DR



A10VSO  
DRF/DFR1  
DRG/DGS



A10VSO LR  
DFLR



A10VSO EP72



A10VSO EP73



A4VG EP



A4VG EZ



A4VG HW



A4VG HD



A4VG DA



A11VLO LE2S



A11VLO LRDU2



A11VLO LRDS



A11VLO DRS



A11VLO DR



A4VSO DR



A4VSO DRG



A4VSO DFR



A4VSO DP



A2FM  
FLASH VALVE



A6VM HD



A6VM EP



A6VM HA



A6VM HZ



A6VM  
FLUSH VALVE



PV90R  
CONTROL VALVE



PV90R  
CHARGE PUMP



PV20-25  
CONTROL VALVE



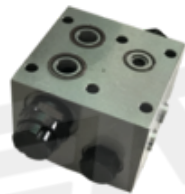
PV20-23  
CHARGE PUMP



PV24  
CHARGE PUMP



MPV046  
CHARGE PUMP



MF23  
VALVE ASSY.



PVB  
CONTROL VALVE



PVH  
CONTROL VALVE



5423  
CHARGE PUMP



A8VO107  
CHARGE PUMP



A8VO160,200  
CHARGE PUMP



K3V63,112,140  
CHARGE PUMP



KOMATSU HPV  
CHARGE PUMP



KOMATSU PC35MR  
CHARGE PUMP



CATERPILLAR  
CHARGE PUMP



UCHIDA AP2D  
CHARGE PUMP



KYB37,87  
CHARGE PUMP



HITACHI  
CHARGE PUMP



JOHN DEERE  
TRANSMISSION  
PUMP

HIGH QUALITY, WIDE RANGE, ADEQUATE STOCK

QUICK RESPONSE, CUSTOMIZED SERVICE

CONTACT US FOR MORE MODELS

**NINGBO YINENG HYDRAULICS CO., LTD**

**[www.ynhyds.com](http://www.ynhyds.com)**

---

ADD.: Room 523, No. 4, Building 3, Junting Commerical Building, Yinzhou District, Ningbo City, Zhengjiang Province, China 315100

TEL/FAX:+86-574-88490039

E-MAIL: [sales@ynhyds.com](mailto:sales@ynhyds.com)

WHATSAPP/CEL.+86-18858040662